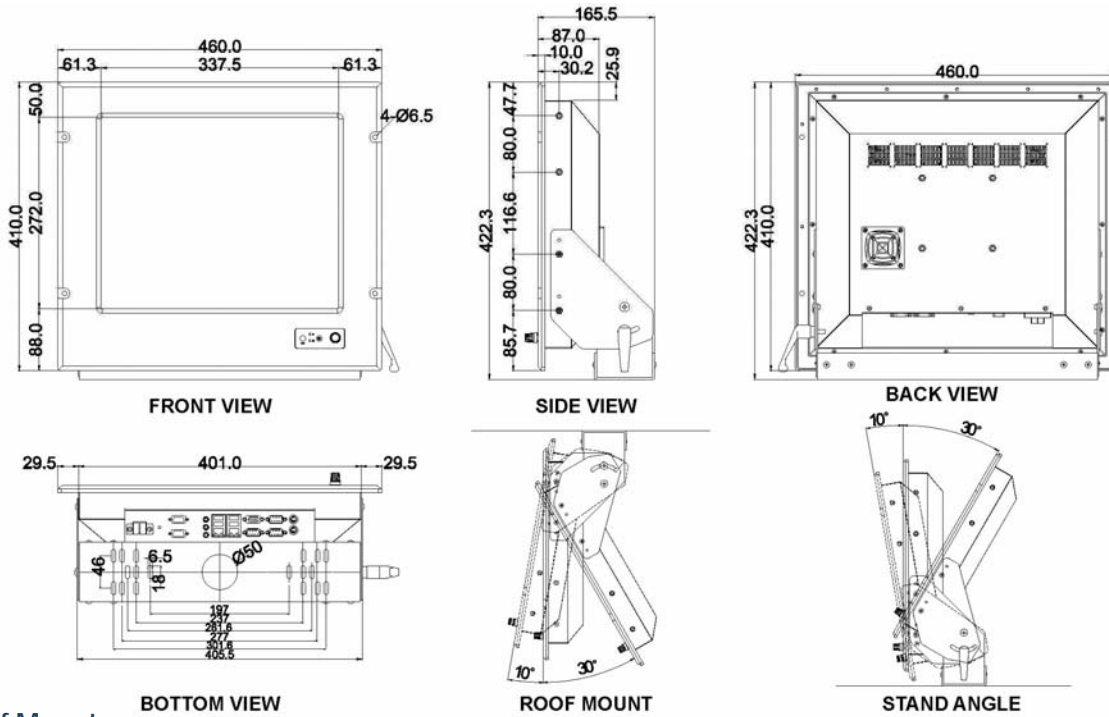
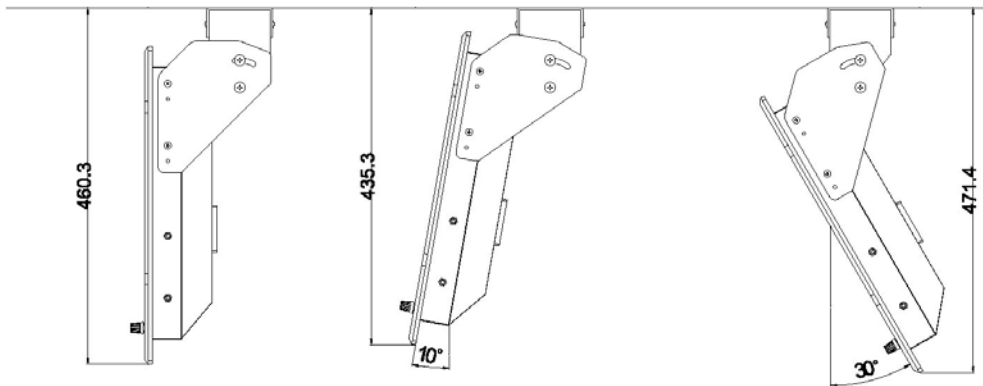


17" Intel Platform Marine Panel PC

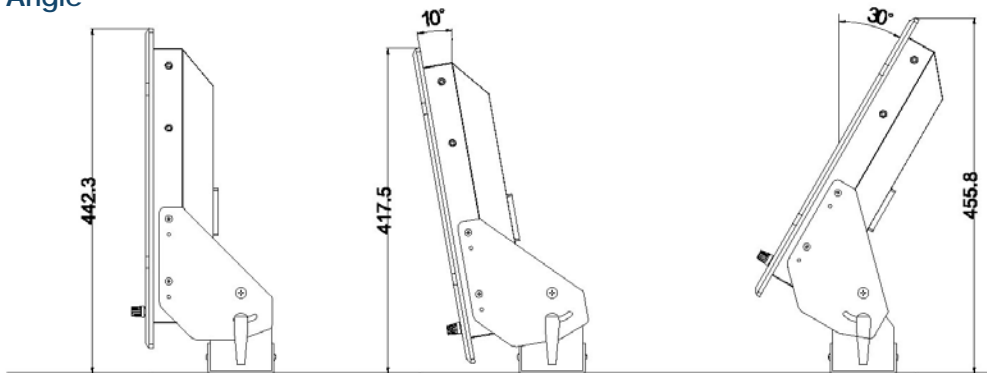
Mechanical Design with Robust Bracket (Options)



Roof Mount



Stand Angle



* Note: this is a simplified drawing and some components are not marked in detail. Please contact our sales representative if you need further product information.

Certification and Approvals : CE, FCC

All Dimensions are ±0.5mm



i-Tech Company LLC
 TOLL FREE: (888) 483-2418 • EMAIL: info@itechlcd.com • WEB: www.iTechLCD.com