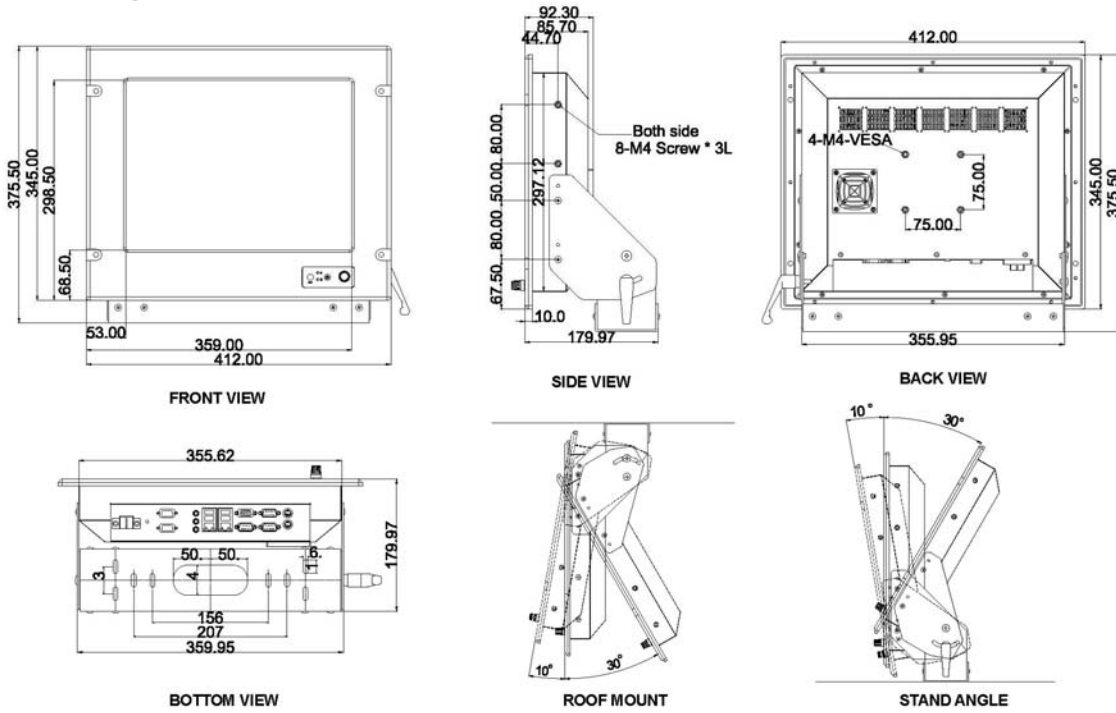


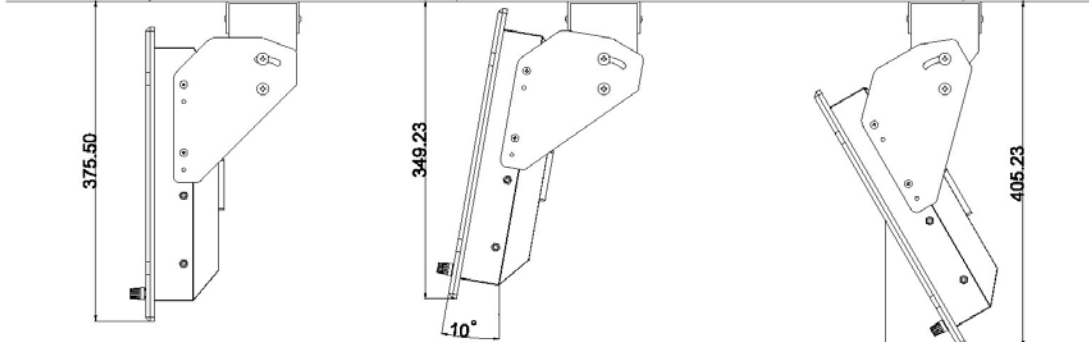


# 15" Marine Panel PC

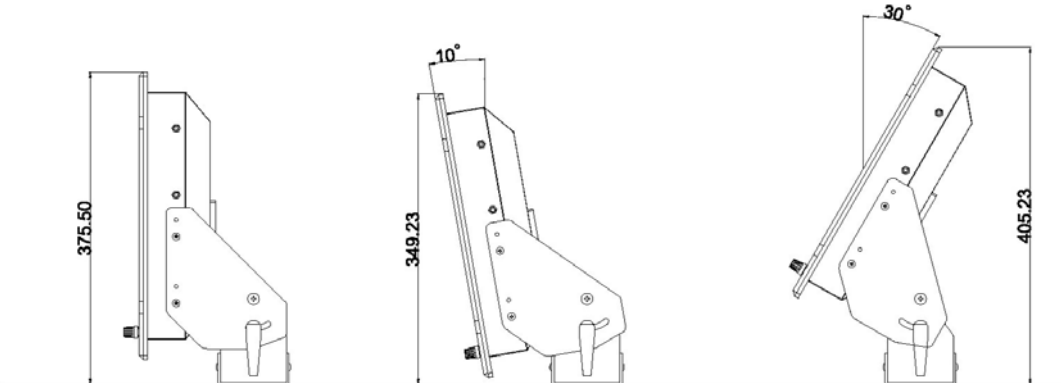
## Mechanical Design with Robust Bracket (Options)



## Roof Mount



## Stand Angle



\*Note: this is a simplified drawing and some components are not marked in detail. Please contact our sales representative if you need further product information.

Certification and Approvals : CE, FCC

All Dimensions are  $\pm 0.5\text{mm}$



i-Tech Company LLC  
 TOLL FREE: (888) 483-2418 • EMAIL: [info@itechlcd.com](mailto:info@itechlcd.com) • WEB: [www.iTechLCD.com](http://www.iTechLCD.com)