

Rugged All Weather Sunlight Readable LCD

12" Rugged All-Weather Sunlight Readable LCD w/RGB,
12/24 Vdc Model: (DOD1200R)

i-Tech's harsh-duty All-Weather Monitor (DOD) is a flat panel display, engineered to survive the most demanding applications. Designed to be rugged, the DOD handles a wide-range of extreme environments making it the industry choice for mobile applications. Housed in a milled billet aluminum case, the slim-profile DOD is light weight and watertight, with fully sealed connectors. Front-mounted controls and the optional touch screen make the monitor user-friendly. The DOD incorporates the latest optical engineering to achieve optimum view ability in all lighting conditions, including direct sunlight. The DOD's power efficient, low heat design results in the increased reliability and longevity required for mission critical deployment.

Standard Features

- Analog RGB Video Input
- Auto Scaling VGA to UXGA
- 12.1" TFT AM LCD SVGA (800 x 600)
- Brightness Range 5-800 nits
- Transflective Enhancement
- Antireflective / Antiglare Surface Treatments
- Button OSD User Interface (MIL-PRF-22885; 1 million + actuations)
- Milled AL Case, sealed to IP67 / NEMA 6
- Black Anodized Finish
- IP68 Anticorrosive Metal Sealed Connectors
- Industry Standard PC Connection
- Wide Range Input (10-36 VDC)T (MIL-STD-1 275)
- Protected against Internal Short Circuit, Load Dump, Over Voltage and Reverse Polarity
- 20 Watts Maximum Power Consumption

Optional Features

- LED Backlight (1000:1 Dimming Ratio)
- Internal Heaters
- 12.1" TFT AM LCD XGA (1024 x 768)
- USB Pass-through with IP68 Sealed Connector
- Analog Resistive Touch Screen
- Night Vision Goggle Filter (MIL-STD-3009)
- Flush Mount Bezel, IP67 Sealed
- Panel Mount, IP67 Sealed
- 1 9" Rack Mount
- External VAC 1 20/240 Power Supply

TECHNICAL SPECIFICATIONS

Display	12.1" TFT AM, SVGA, LCD, 262K Colors
Sunlight Readable*	800 nits, Transflective, AR/AG 600 nits (optional XGA)
Contrast Ratio	600:1 300:1 (optional XGA)
Dimming Ratio	100:1 1000:1 (optional LED)
Viewing Angle (typical)	140° (H) x 100° (V) 120° (H) x 105° (V) (optional XGA)
Video Input	RGB
Connectors	IP68 Fischer High Density to DB-15 JAE to Flying Leads DC Input JAE to DB-9 Touch (optional) JAE to USB Port (optional)
Housing	Milled Aluminum, Black Anodized, UV Clear Coat
Mounting	Flush, Panel, 19" Rack or RAM Mount (Standard)
Wide Range DC Power Input†	10-36 VDC (12, 24, 28 VDC nominal) MIL-STD-1275
Power Conditioning	Internal Short Circuit Protection Load Dump Protection Over Voltage Protection Reverse Polarity Protection
Power Consumption	20 Watts Max

ENVIRONMENTAL SPECIFICATIONS

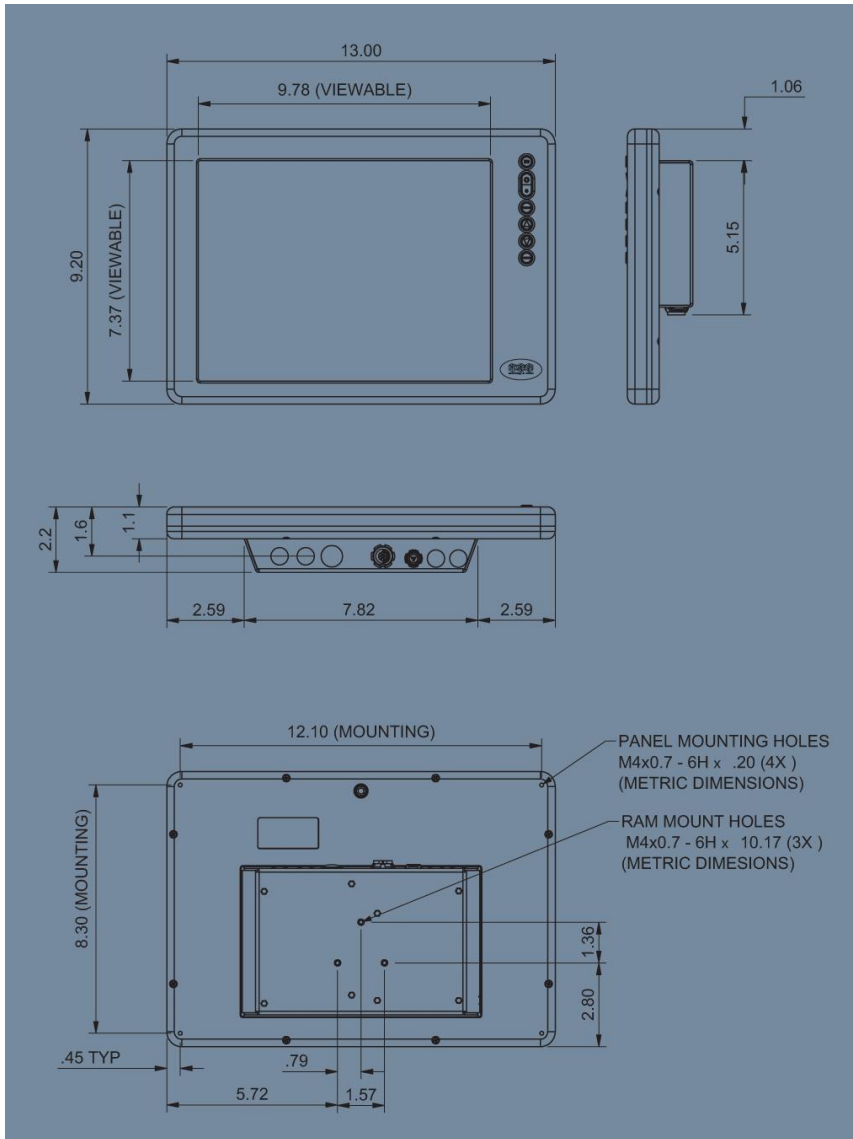
IP Rating	IP67 (NEMA 6 Submersible)
Operating Temperature‡	-40°C to 70°C (-40°F to 158°F) (Designed to meet MIL-STD-810F)
Storage Temperature	-40°C to 80°C (-40°F to 176°F)
Humidity	0-100%
Shock	50 G
Vibration	5.8 G (5-500 Hz)
Altitude	45,000 ft.
EMI	Designed to meet FCC B, CE
Sunlight Readability	MIL-PRF-22885 (for push buttons)
Nighttime Readability*	MIL-STD-3009 Class B (Optional)

CABLES

Included Power (3-pin), RGB, Touch*, USB* * Included only if option is ordered



Mechanical



Pictured TOP:
Standard DOD Series with
Power and RGB Inputs.

DIMENSIONS	MILLIMETERS	MILLIMETERS
Height	234 mm	9.20"
Width	331 mm	13.00"
Depth (Main Case)	28 mm	1.10"
Connector Pod Depth	28 mm	1.10"
Weight	5.4 lbs ± .25 lbs 2.5 kg ± .1 kg	

*
i-Tech's integrated NVIS options either produce near zero color shift or slight color shift for full sunlight readability. The integrated NVIS is MIL-STD-3009 compliant, and can be viewed with NVGs (Night Vision Goggles) through the entire brightness range. Dimming is not necessary to meet MIL-STD-3009, Class B NVIS requirements. Brightness levels will be reduced with the NVIS option.

†
The power range specified covers momentary environmental fluctuations generally found in a mobile environment while display is operating. For power initialization and continual operation, nominal voltages are required.

‡
Low temperature operation may require heater option.