

Rugged All Weather Sunlight Readable LCD

10.4" Rugged All-Weather Sunlight Readable LCD w/LVDS,
12/24 Vdc Model: (DOD1000L)

i-Tech's harsh-duty All-Weather Monitor (DOD) is a flat panel display, engineered to survive the most demanding applications. Designed to be rugged, the DOD handles a wide-range of extreme environments making it the industry choice for mobile applications. Housed in a milled billet aluminum case, the slim-profile DOD is light weight and watertight, with fully sealed connectors. Front-mounted controls and the optional touch screen make the monitor user-friendly. The DOD incorporates the latest optical engineering to achieve optimum view ability in all lighting conditions, including direct sunlight. The DOD's power efficient, low heat design results in the increased reliability and longevity required for mission critical deployment.

Standard Features

- Digital LVDS Video Input
- 10.4" TFT AM LCD SVGA (800 x 600)
- Brightness Range 5-700 nits
- Transflective Enhancement
- Antireflective / Antiglare Surface Treatments
- Milled AL Case, sealed to IP67 / NEMA 6
- Black Anodized Finish
- Single High Flex Cable for all connections
- IP68 Anticorrosive Metal Sealed Connectors
- Wide Range Input (10-36 VDC)T (MIL-STD-1 275)
- Protected against Internal Short Circuit, Load Dump, Over Voltage and Reverse Polarity
- 12Watts Maximum Power Consumption

Optional Features

- USB Pass-through with IP68 Sealed Connector
- Analog Resistive Touch Screen
- Night Vision Goggle Filter (MIL-STD-3009)
- Flush Mount Bezel, IP67 Sealed
- Panel Mount, IP67 Sealed
- Internal Heaters
- 1 9" Rack Mount
- Analog Resistive Touch Screen

TECHNICAL SPECIFICATIONS

Display	10.4" TFT AM, SVGA, LCD, 16M Colors
Sunlight Readable*	700 nits, Transflective, AR/AG
Contrast Ratio	1 000:1
Dimming Ratio	100:1
Viewing Angle (typical)	160° (l) x 160° (V)
Video Input	LVDS
Connectors	IP68 Fischer High Density to custom DB-25
Housing	Milled Aluminum, Black Anodized, UV Clear Coat
Mounting	Flush, Panel, 19" Rack or RAM Mount (Standard)
Wide Range DC Power Input†	10-36 VDC (12, 24, 28 VDC nominal) MIL-STD-1275
Power Conditioning	Internal Short Circuit Protection Load Dump Protection Over Voltage Protection Reverse Polarity Protection
Power Consumption	12Watts Max

ENVIRONMENTAL SPECIFICATIONS

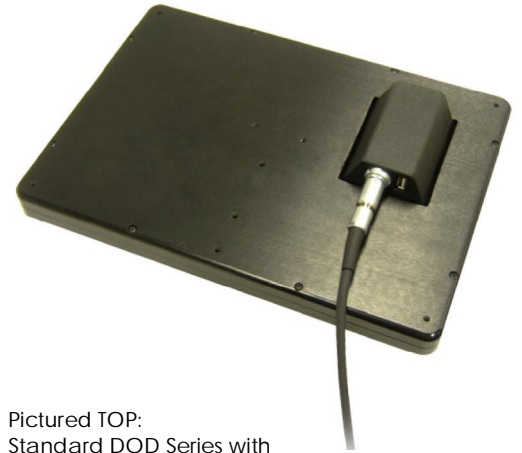
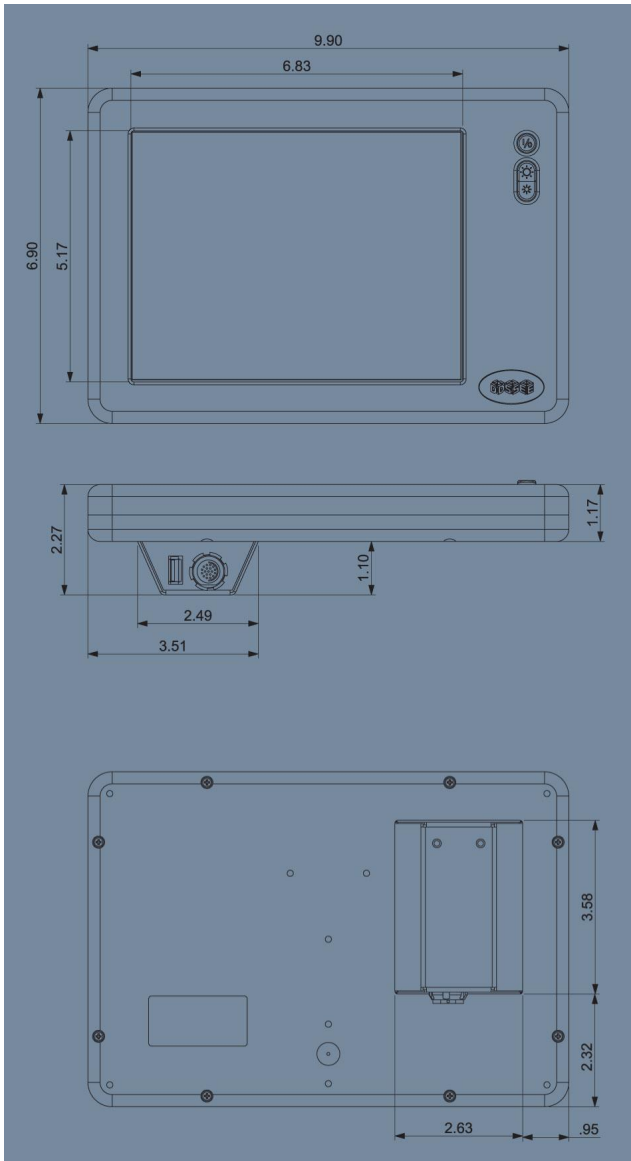
IP Rating	IP67 (NEMA 6 Submersible)* *cancelled with Standard A-Type Socket
Operating Temperature‡	-40°C to 70°C (-40°F to 158°F) (Designed to meet MIL-STD-810F)
Storage Temperature	-40°C to 80°C (-40°F to 176°F)
Humidity	0-100%
Shock	50 G
Vibration	5.8 G (5-500 Hz)
Altitude	45,000 ft.
EMI	Designed to meet FCC B, CE
Sunlight Readability	MIL-PRF-22885 (for push buttons)
Nighttime Readability*	MIL-STD-3009 Class B (Optional)

CABLES

Included	Umbilical
Not Included	USB (with standard A-type socket)



Mechanical



Pictured TOP:
Standard DOD Series with
LVDS and Unsealed USB Inputs.

DIMENSIONS	MILLIMETERS	MILLIMETERS
Height	207 mm	8.1 3"
Width	295 mm	11.60"
Depth (Main Case)	30 mm	1.17"
Connector Pod Depth	29 mm	1.12"
Weight	4.2 lbs ± .25 lbs	1.9 kg ± .1 kg

*
i-Tech's integrated NVIS options either produce near zero color shift or slight color shift for full sunlight readability. The integrated NVIS is MIL-STD-3009 compliant, and can be viewed with NVGs (Night Vision Goggles) through the entire brightness range. Dimming is not necessary to meet MIL-STD-3009, Class B NVIS requirements. Brightness levels will be reduced with the NVIS option.

†
The power range specified covers momentary environmental fluctuations generally found in a mobile environment while display is operating. For power initialization and continual operation, nominal voltages are required.

‡
Low temperature operation may require heater option.